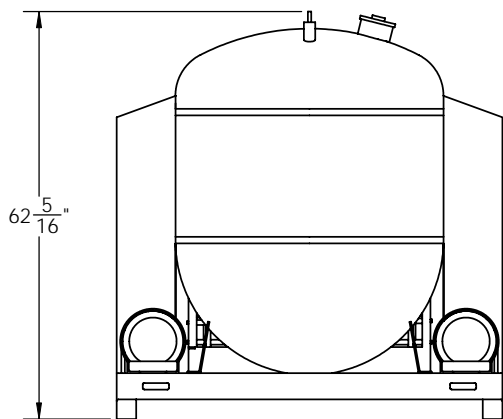
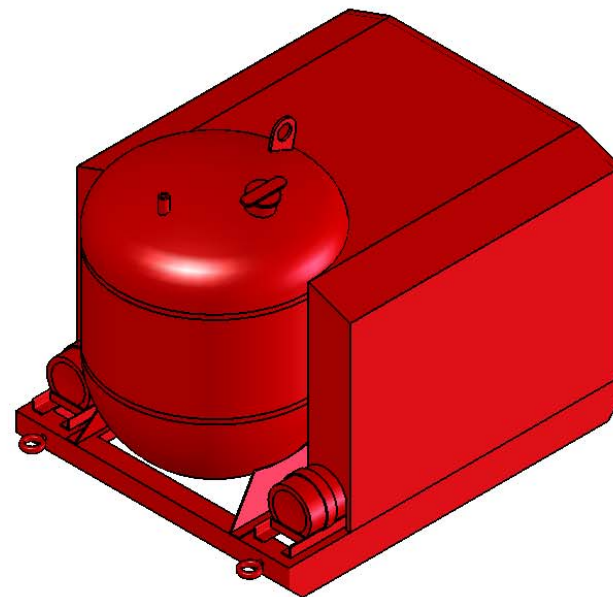


TOP VIEW

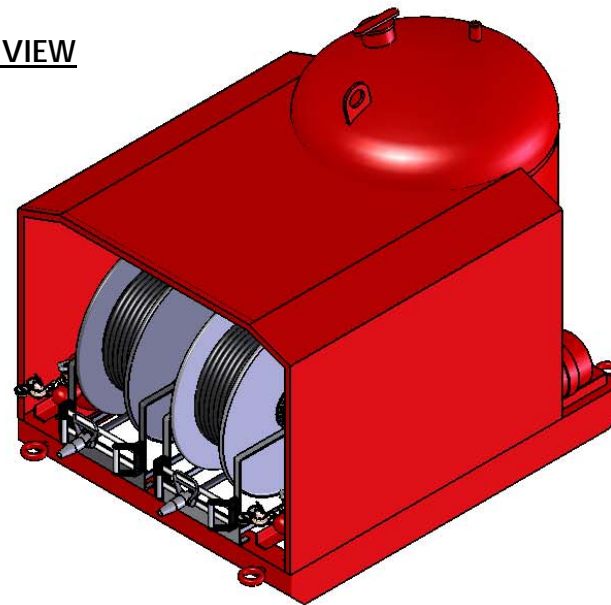


FRONT VIEW

BURNER FIRE CONTROL



ISOMETRIC VIEW



1500 LB DRY CHEMICAL UNIT